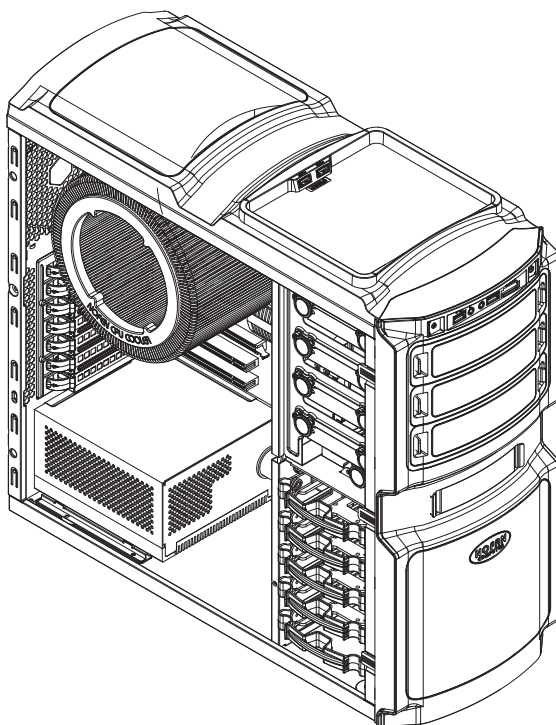


# User Manual

# **NOFAN CS-80**

NOFAN CS-80 (Natural Convection model of BUC666 from IN WIN)



Please review the manual prior to installation.  
Ver. 1.0

## 1. NOFAN CS-80 Features

1. Hexagon mesh panels for maximum air flow required for optimal natural convection.
2. Tool-less installation (Securing HDD/SSD onto the EZ-Swap Tray requires tooling)
3. Storage Tray with carbon fiber-like surface treatment for storing USB 3.0 or other devices conveniently and safely. (USB 3.0 ports can only be used if the motherboard supports onboard USB 3.0 connector.)
4. Easily install/replace HDD or SSD using EZ-Swap. EZ-Swap Gate allows access to HDD or SSD without opening the side panel.
5. Maintain clean system without fans to attract dust.

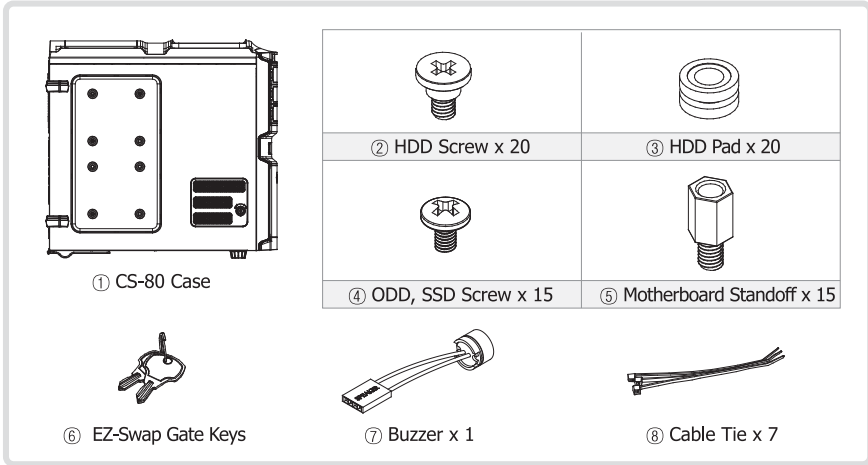
## 2. CS-80 Specifications

Category	NOFAN CS-80
Dimension (W x D x H)	200mm x 490mm x 470mm
Weight	7kg
Material	Plastic, Steel(SECC)
Supporting Motherboard	ATX, Micro ATX
Color	Black
Expansion Slots	7
5.25"Bay	3
3.5"Bay	External : 1EA / Internal : 5EA(2.5"Compatible)
I/O Port	Mic x 1, Headphones x 1, USB 2.0 x 2, USB 3.0 x 2

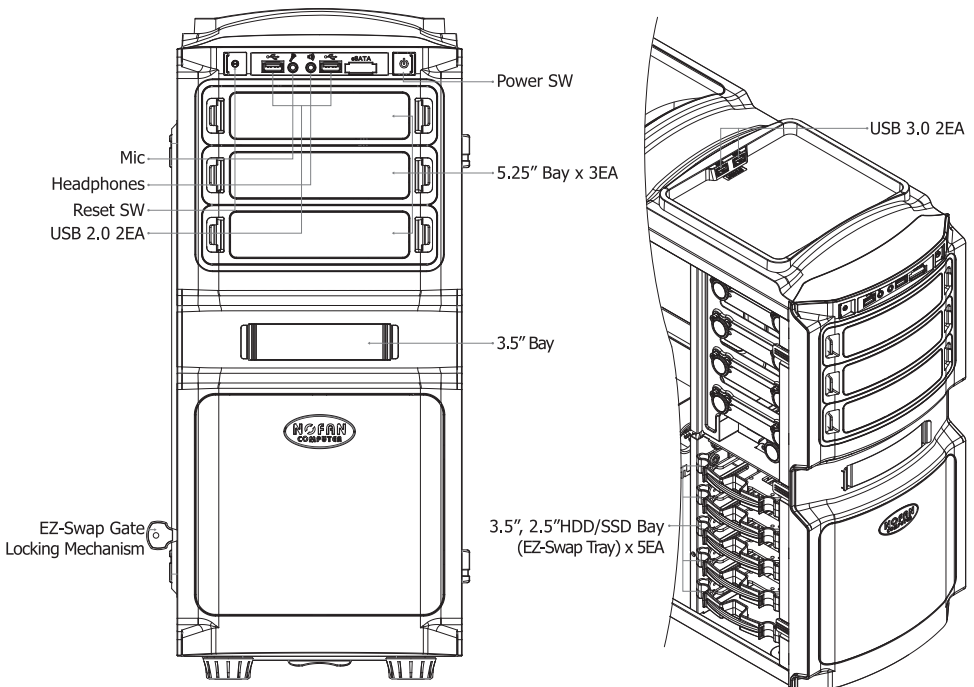
## NOTICES

1. Keep out of reach of children.
2. Inspect product prior to installing for any defects and return if any defects are found.
3. Do not use product for any purposes other than its intended use. Damages from such usage, or incorrect installation will not be warranted by NOFAN.
4. Please follow the user manual for CPU and motherboard installation to avoid damages.
5. The actual product is subject to change without prior notice.

### 3. NOFAN CS-80 Package Content



### 4. CS-80 External Features



## 5. Case Installation Guide



① Unlock side panel by pulling the lock.



② Remove the side panel by sliding the Panel towards rear of the case.



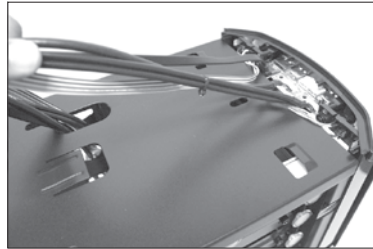
③ Slightly pull the clip to release the top cover.



④ While pulling the clip on #3, slide the case towards rear to remove.



⑤ Remove top cover.



⑥ Carefully remove the cables from the case.



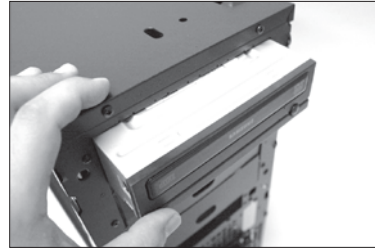
⑦ Release the 3 clips on each side to remove the front cover.

## 6. 5.25", 3.5", EZ-Swap(3.5", 2.5") Installation Guide

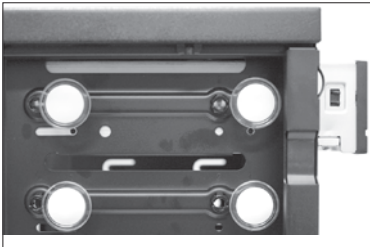
### ▶ 5.25" Installation



① Pull to release the tool-free clip.

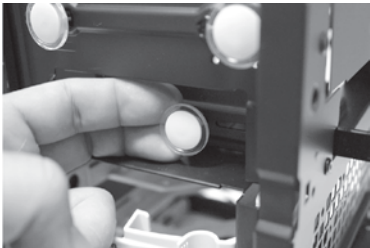


② Slide to insert 5.25" drive.

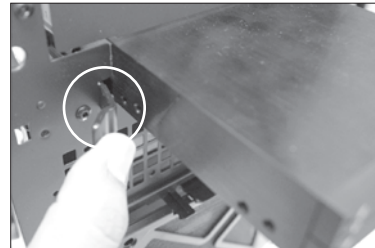


③ Ensure 5.25" drive lines up with the installation holes and push to lock the tool-free clip.

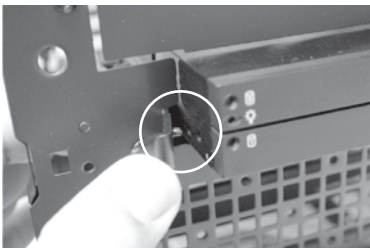
### ▶ 3.5" Installation



① Pull to release the tool-free clip.



② Slide to insert 3.5" drive while gently pulling on the plastic clip.  
(Excessive force may break the clip)



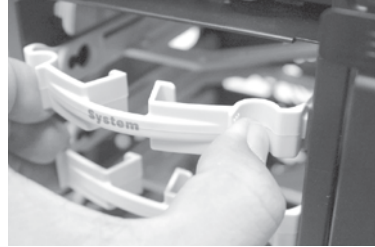
③ Slide the 3.5" drive and lock the drive using the plastic clip.

⚠ When reinstalling the covers, please reinstall the front cover first.

► EZ-Swap(3.5", 2.5") Installation

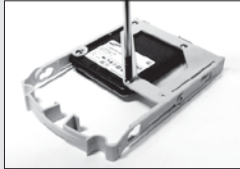


① Connect EZ-Swap cables to Power and Motherboard SATA.



② Squeeze EZ-Swap Tray and pull to remove.

<Example>



<2.5"SSD>



<3.5"HDD>



③ Install 3.5"HDD or 2.5"SSD onto EZ-Swap Tray. For 3.5"HDD, please insert silent form prior to tightening HDD screws.



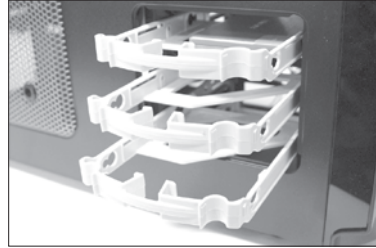
④ Slide in EZ-Swap Tray until "clicking" sound is heard

## 7. EZ-Swap Features

Using EZ-Swap Gate, you can easily replace EZ-Swap Trays without removing the side panel.



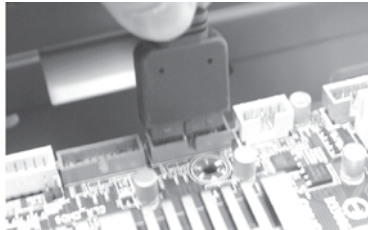
① Unlock the EZ-Swap Gate.



② Please refer to Chapter 6 for installation instructions.

## 8. Storage Tray USB 3.0 Installation Guide

CS-80 has 2 (two) USB 3.0 ports on the top of the case. In order to use the USB 3.0 ports, motherboard must support on-board USB 3.0 connector.



① Connect USB 3.0 connector to USB 3.0 port on the motherboard.

## 9. Expansion Slot Installation Guide



① Push the expansion slot clip to release.

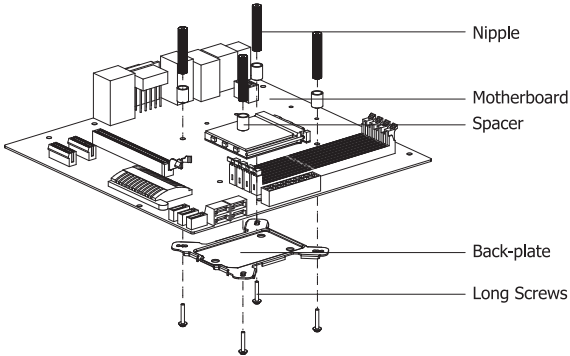


② Firmly install the expansion card and push the clip towards the card to lock.

## 10-1. CR-95C(Sold Separately) Installation Guide

### 1. INTEL CPUs

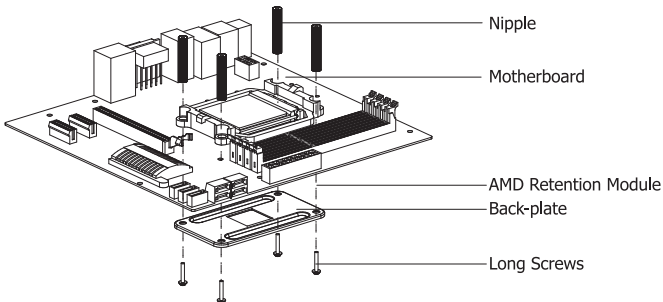
- Insert the four long screws through the back-plate into the four holes on the motherboard and secure them evenly with the four spacers and nipples.



- Installing Intel based CPU mounting kit

### 2. AMD CPUs

- Remove the retention module, if applicable. Insert the four long screws through the back-plate and the retention module into the four holes on the motherboard and secure them evenly with the four spacers and nipples.

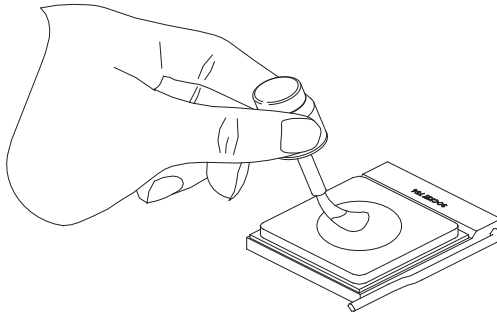


- Installing AMD based CPU mounting kit



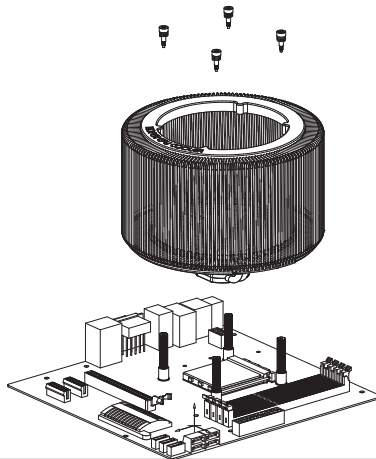
## 10-2. CPU Cooler Installation

1. Clean surface of CPU.
2. Apply a thin layer of Thermal Grease onto the CPU.



Applying Thermal Grease onto CPU

3. Place the heatsink onto the CPU and tighten each fixing bolt evenly.



# 11. Recommended Fan-less System by NOFAN Computer

## ► INTEL System

Recommend Component	Manufacturer	Model
1. CPU	Intel Corporation	Intel Core i5-2500
2. CPU Cooler	NOFAN Corporation	CR-95C
3. Chassis	NOFAN Corporation	CS-80
4. Motherboard	Giga-Byte Technology Co.,Ltd.	GA-Z68X-UD2H
5. VGA Card	Giga-Byte Technology Co.,Ltd.	Radeon HD 6770 UDV D5 Silent-Cell (1G)
6. Power Supply	NOFAN Corporation	P-400A
7. Solid State Disk	Samsung	SSD 830 Series

Recommended products for optimum noiseless(0 dBA) system,



1.CPU



2.CPU Cooler



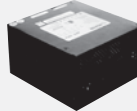
3.Chassis



4.Motherboard



5.VGA Card



6.Power Supply



7.Solid State Disk

## ► AMD System

Recommend Component	Manufacturer	Model
1. CPU	AMD	A8 3850
2. CPU Cooler	NOFAN Corporation	CR-95C
3. Chassis	NOFAN Corporation	CS-80
4. Motherboard	Giga-Byte Technology Co.,Ltd.	GA-A75X-UD2H
5. VGA Card	Giga-Byte Technology Co.,Ltd.	Radeon HD 6770 UDV D5 Silent-Cell (1G)
6. Power Supply	NOFAN Corporation	P-400A
7. Solid State Disk	Samsung	SSD 830 Series

Recommended products for optimum noiseless(0 dBA) system,



1.CPU



2.CPU Cooler



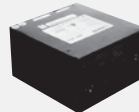
3.Chassis



4.Motherboard



5.VGA Card



6.Power Supply



7.Solid State Disk

## 12. NOFAN Warranty Policy

NOFAN certifies its products to be free of defect in material and workmanship from normal usage. NOFAN is not responsible for damage to, or loss of, any programs, data, or removable storage media. User is responsible for maintaining and regular back-ups. NOFAN will repair or replace the defective product with the same product. If the product is discontinued, NOFAN will replace with one of the similar or higher grade. This provision is confined to the warranty period. The warranty period will begin on the date of purchase on the receipt. If the buyer is unable to provide proof of receipt, the warranty will start on the date of production recovered from printed serial number. This warranty is non-transferable.

### Duration of Warranty

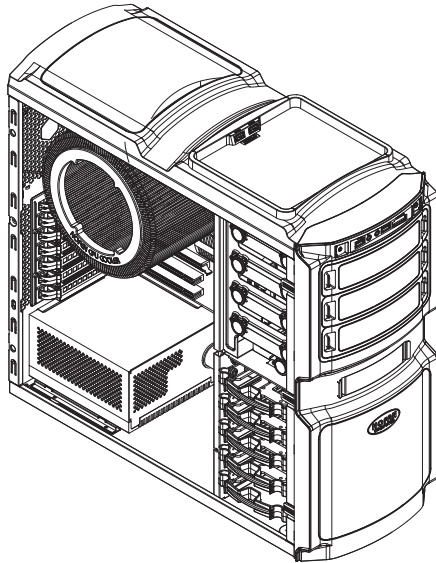
NOFAN brand cases will be warrantied for 1 Year.

Following cases are not covered by the warranty:

1. If the case has been modified without written consent from the NOFAN.
2. If the serial number has been modified, or removed.
3. Accidental or intentional abuse, misuse, neglect, natural disaster, or any other acts of nature, failure to follow User's Manual, shipping or transport damage, or any other causes not related to product defect.
4. Repair or attempted repair by anyone not authorized by NOFAN.
5. Any damages unrelated to manufacturing defects.

### Outside Korea

If you require warranty services outside Korea, please contact your retailer, dealer, or distributor from whom you have purchased the product.



# NOFAN CS-80