

IRRC **STREACOM**
USER GUIDE

Page

2.....	Index, Foreword
3.....	Product Overview
4.....	Remote Control, Layout and Functions
5.....	Connection Diagram
6.....	Installation and Setup

Foreword

Thank you for your purchase of this Streacom product, every care has been taken to ensure that it meets with the high standards that we have set for ourselves.

Should you have any questions that are not covered in this user guide, support can be offered via email through our website at www.streacom.com

We sincerely hope that you enjoy using our product!

Specification

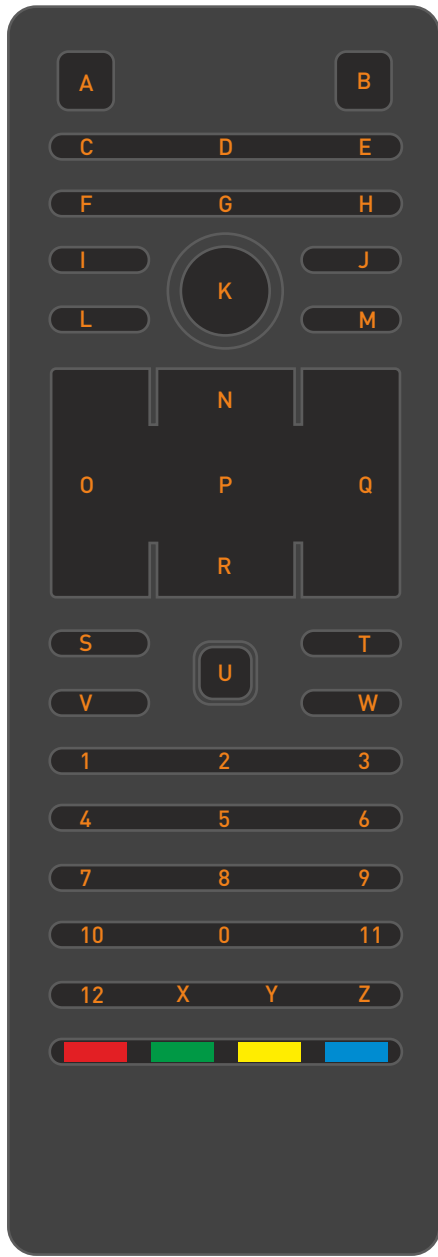
Remote Model	Philips RC2604321/01
OS Compatibility	Windows XP, Vista, & 7, Linux*
Drivers	Windows Plug and Play
IR Range	10 Meters Max
IR Code	RC-6 Format
Remote Batteries	2 x CR2032 (Included)
Keys	43
Dimensions	138 x 47 x 13mm (LxWxH)
Weight	58g Excluding Batteries
Module Connections	USB, Power on/off
Special Features	Power On from Off state**

* Can be used with various Linux based platforms such as XMBC by using eHome remote compatible drivers

** Requires power to USB when off, see motherboard specification for support of this feature

What's Included in the Kit

- 1 x Remote Control
- 1 x IR Module
- 2 x CR2032 Batteries
- 1 x USB Cable
- 1 x Power Switch Cable



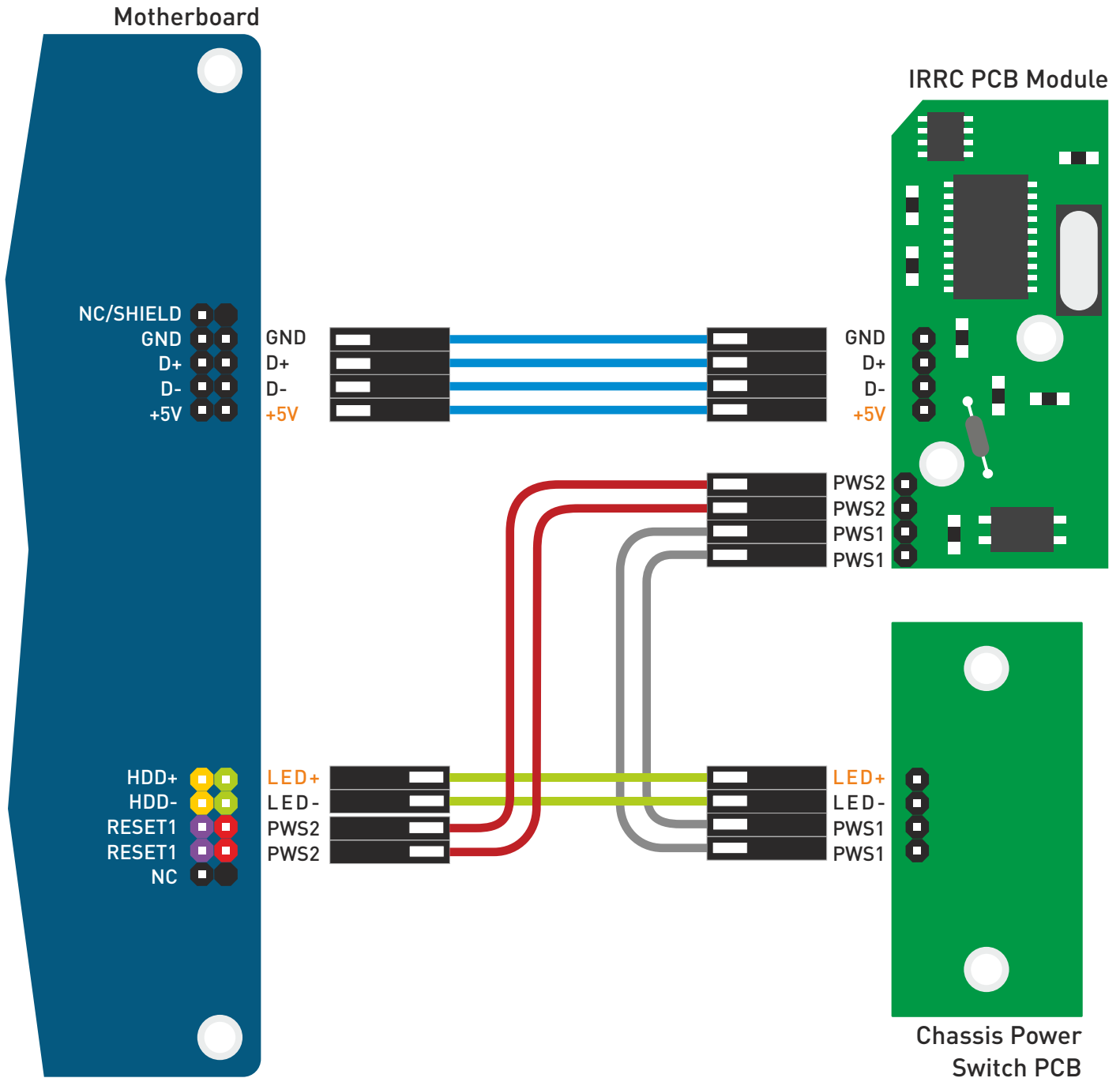
A
 B
 C
 D
 E
 F
 G
 H
 I
 J
 K
 L
 M
 N
 O
 P
 Q
 R
 S
 T
 U
 V
 W
 X
 Y
 Z
 0
 1
 2
 3
 4
 5
 6
 7
 8
 9
 10
 11
 12
 RED
 GREEN
 YELLOW
 BLUE

Mode 1

Music
 Close (MCE)
 Record
 Pause/Play
 Stop
 Fast Rewind
 Play/Pause
 Fast Forward
 Last
 Next
 MCE
 Back Space
 Help
 Up
 Left
 OK
 Right
 Down
 Volume Up
 Next +
 Mute
 Volume Down
 Last -
 Desktop
 My TV
 Enter
 0
 1
 2 A B C
 3 D E F
 4 G H I
 5 J K L
 6 M N O
 7 P Q R S
 8 T U V
 9 W X Y Z
 +
 #
 Back Space
 Mode 1
 My Pictures
 Alt + Tab
 Mode 2

Mode 2

Open Media
 Alt + F4
 Email / Outlook
 Pause/Play
 Stop
 None
 Close
 None
 Last
 Next
 Open Media
 Left Mouse Button
 Right Mouse Button
 Up (Pointer)
 Left (Pointer)
 Enter
 Right (Pointer)
 Down (Pointer)
 Volume Up
 Page Up
 Mute
 Volume Down
 Page Down
 Desktop
 Win + E
 Enter
 0
 1
 2 A B C
 3 D E F
 4 G H I
 5 J K L
 6 M N O
 7 P Q R S
 8 T U V
 9 W X Y Z
 *
 #
 Back Space
 Mode 1
 WWW (Home Page)
 Alt + Tab
 Mode 2



Cable colours shown are for illustrative purposes only, actual colours will vary.

Installation and Setup

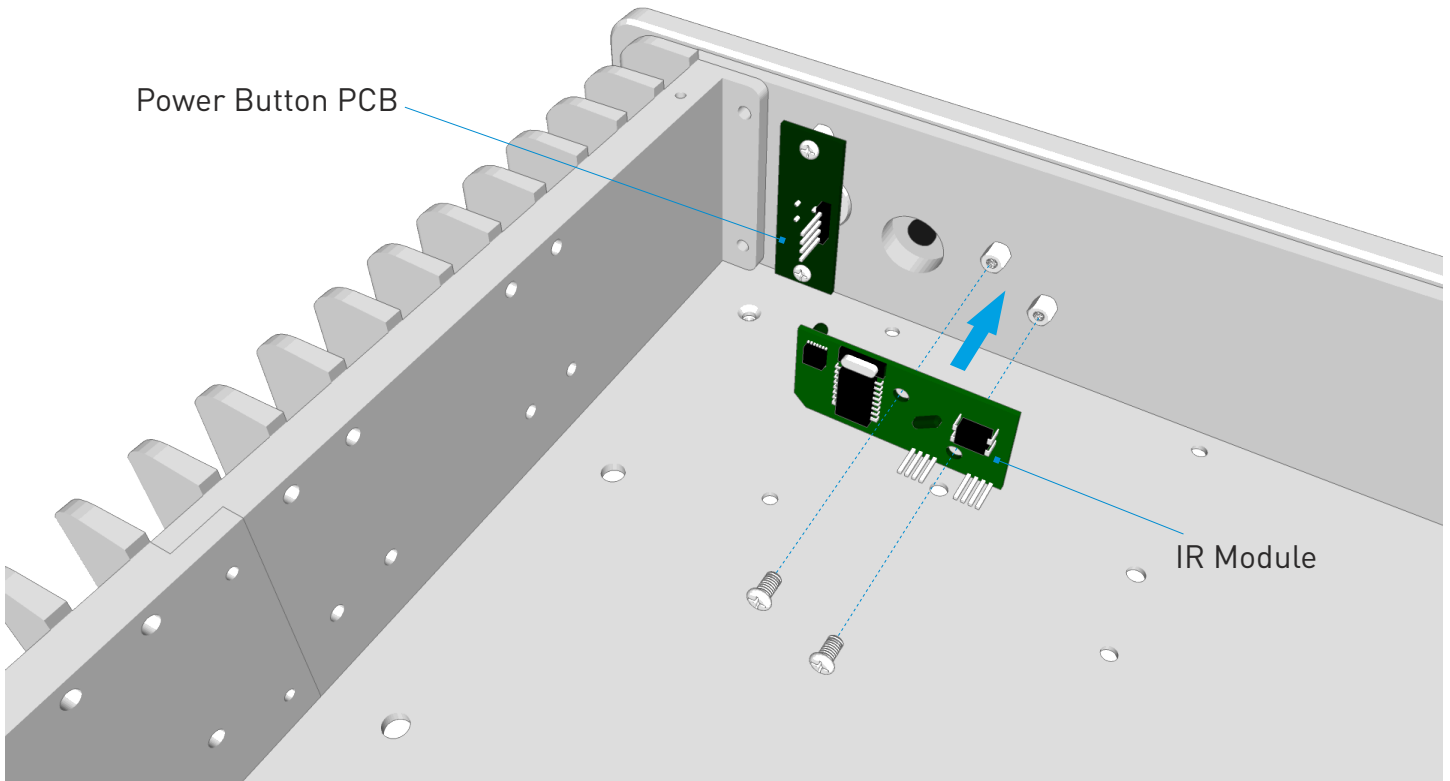
Fit the IR Module to your chassis (currently compatible with all Streacom chassis), with the 2 screws as shown.

Connect the cables as shown in the wiring diagram between the IR Module, Power Switch PCB and Motherboard. Ensure correct orientation when connecting the USB Cable (+5V, D-, D+, GND).

Fit the batteries to the remote control by removing the rear cover and installing the 2 x button cells (ensure correct battery orientation).

Once your OS has been installed, the IR module should automatically be detected and installed (Plug and Play support for Windows Only)

For successful operation, ensure the device is listed in the OS and that there is clear line of sight between the remote and IR window.



STREACOM

Melbournestraat 56,
3047 BJ Rotterdam,
The Netherlands
www.streacom.com

V1.12.02